

Milano - 48" Single Bowl

Specification & Installation Guide

Features

- Free Standing 48" vanity : 33-1/2"(852mm)H x 18"(458mm)D x 47-5/8"(1210mm)W
- Furniture grade plywood layered with solid wood veneer and protected with several coats of polyurethane.
- Matching finish inside out
- Two fully adjustable drawers with full-extension soft-close hardware.
- Bottom drawer includes adjustable tempered glass dividers
- Feet option: 4 L-Feet, 2 S-Feet or C-Base in Polished Chrome, Brushed Nickel, Polished Nickel, Matte Black, or Satin Brass

Top/Basin options

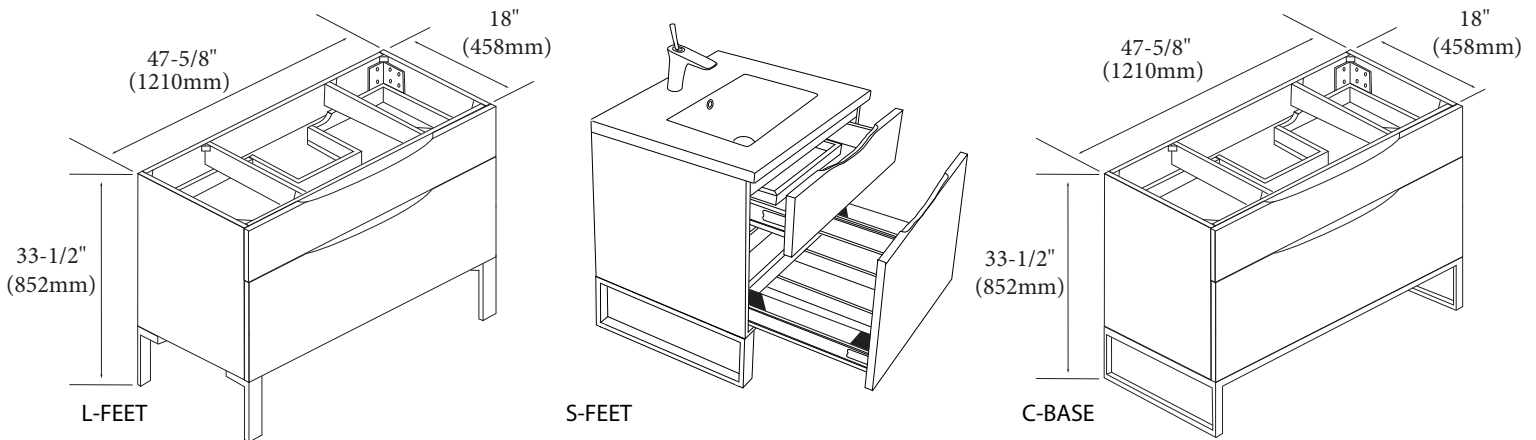
- Quartzstone™ top & White ceramic basin
- Glossy White X-Stone top/basin - 1-1/2"H
- Glossy White Trough Sink - 4-1/2"H
- Glossy or Matte White X-Stone flat countertop

Package Dimensions

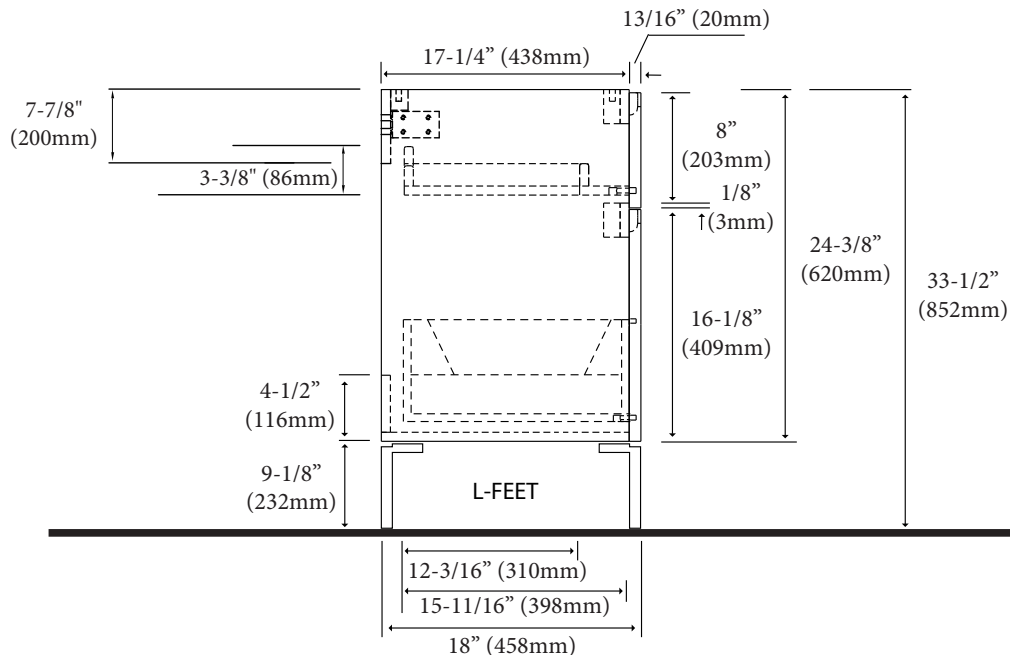
52" x 22" x 27"

Weight

180 lbs. / 86 kgs



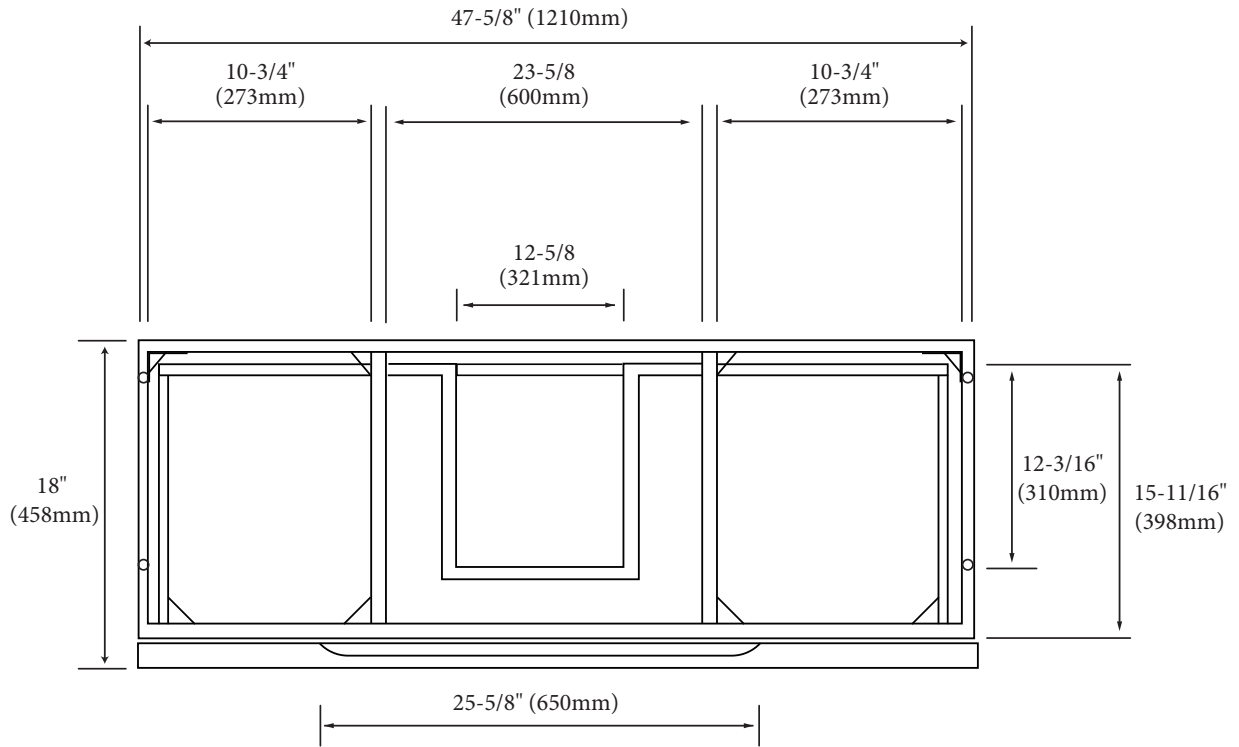
SIDE VIEW



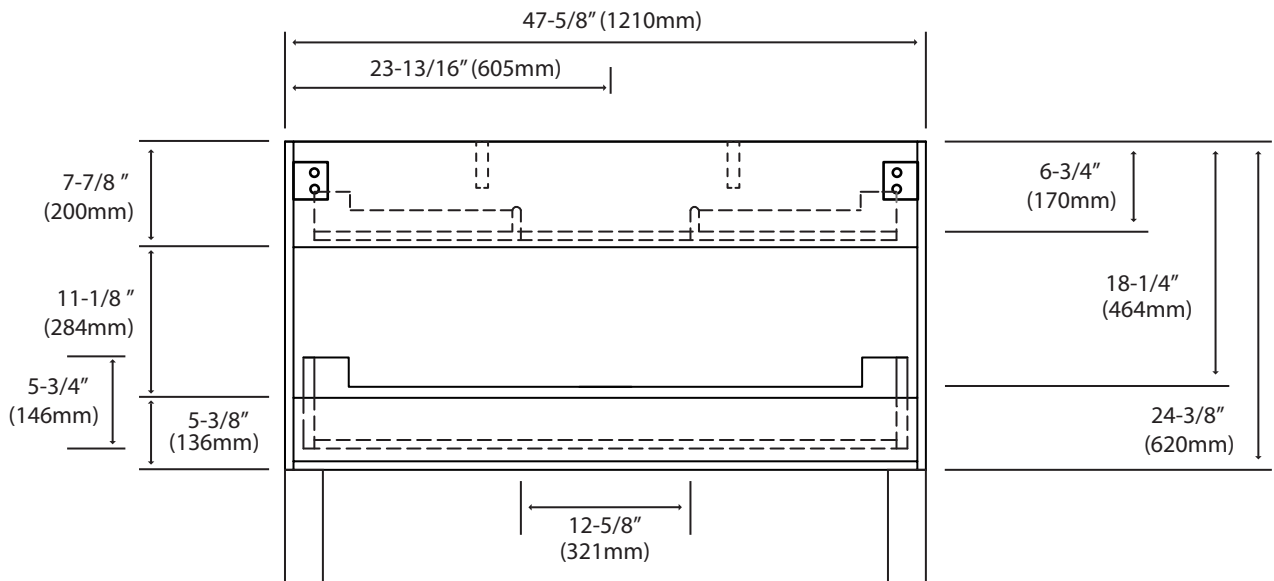
Milano - 48" Single Bowl

Specification & Installation Guide

TOP VIEW



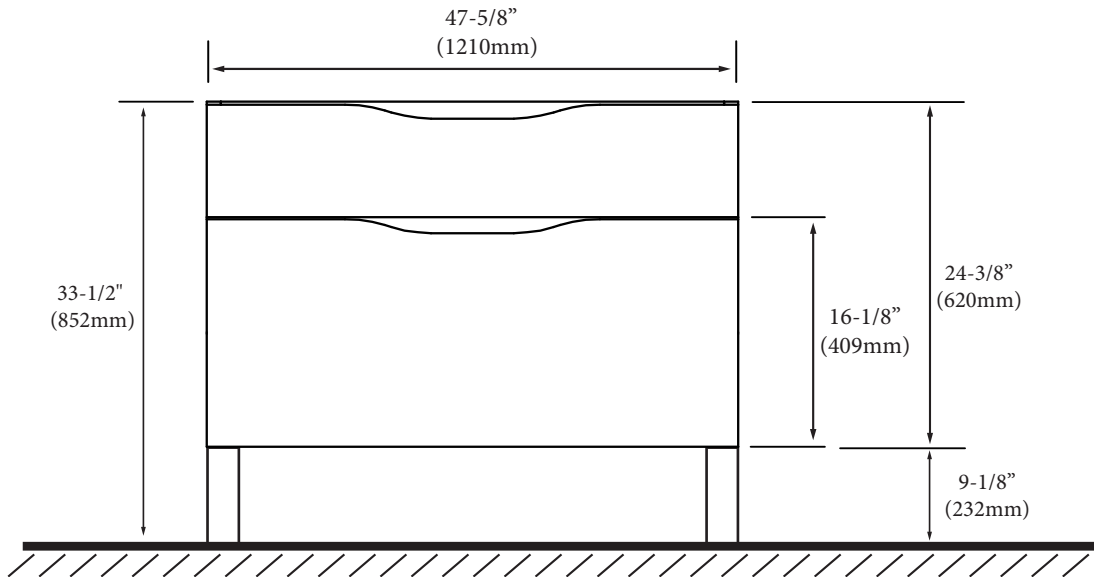
BACK VIEW



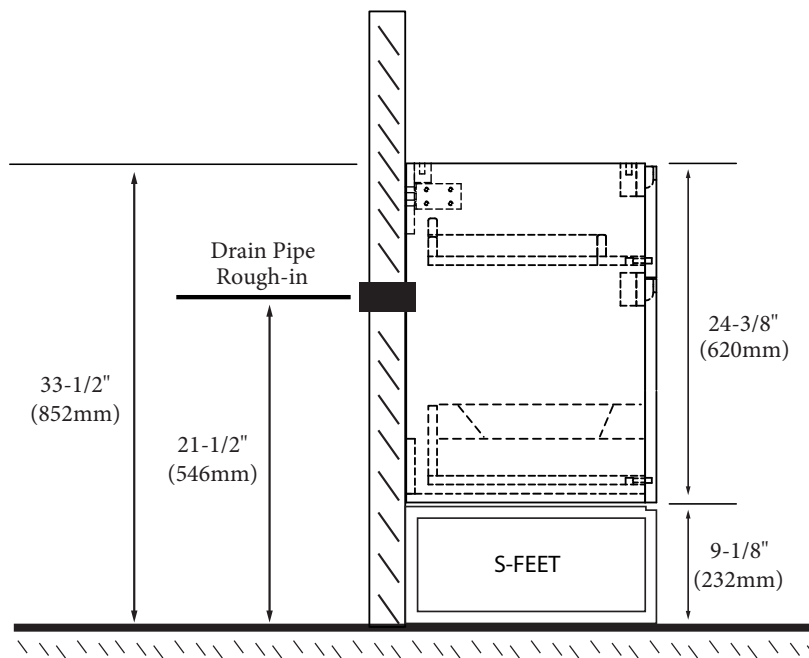
Milano - 48" Single Bowl

Specification & Installation Guide

FRONT VIEW



ROUGH-IN DIMENSIONS



Milano - 48" Single Bowl

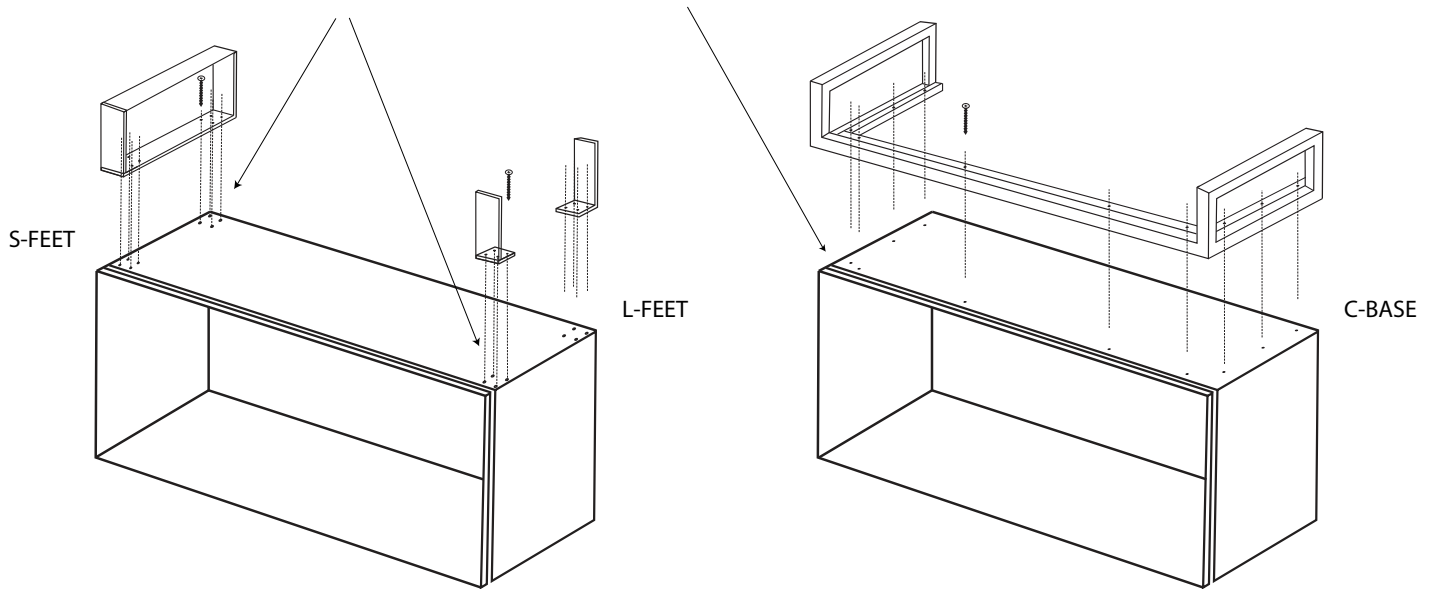
Specification & Installation Guide

INSTALLATION INSTRUCTIONS

1. Install feet

1. Remove drawers and place vanity upside down
2. Place feet in indicated positions
3. Mark screw locations
4. Pre-drill holes with 5/64, 3/32 or 7/64 drill bit about 1/2" deep
5. **DO NOT OVERTIGHTEN THE SCREWS. DOING SO WILL SPLIT THE WOOD SIDE PANEL**
6. If using a regular battery drill, set clutch to minimum and increase setting as needed
7. **DO NOT USE AN IMPACT DRILL. IT WILL SPLIT THE WOOD SIDE PANEL**

2. C-Base installation



3. L- Feet position

4. S- Feet position

5. Secure cabinet to wall and Install countertop with Silicone

